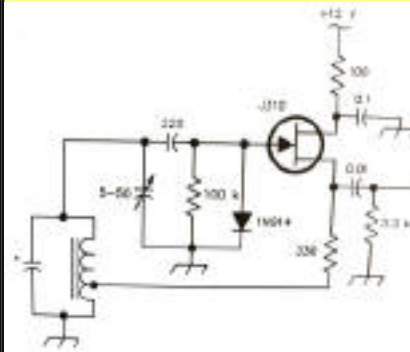


2004

Local Oscillator



October

Mesilla Valley Radio Club

A [pdf file](#) of this issue is available. It should print fairly easily. If you do not have the free pdf file reader, go to <http://www.adobe.com>

Events

Table of Contents

Date	Event	Time
M - F	6 m FM net 52.540	6:00AM
M - F	round-table 52.525	8:00PM
T, T	Breakfast Wal-Mart (E)	10:00AM
M, W, F	Informal - Munson Center	10:00AM
Mon	WTRA Swap net 146.88	8 PM
Wed	Net 146.64	6:45PM
Oct 2	Breakfast Club House	8:00AM
Oct 2	Business Meet Club House	9:15AM
Oct 11	Social Meeting (2 nd Mon Golden Corral	6:00PM
Oct 13	1 st Wed after 2 nd Mon Directors at clubhouse	7:00PM
Oct 15 - 17	Tech Class Club House.	
Oct 31	Marathon	
Nov 11	Baylor Pass Run	

EVENTS

[PRESIDENT'S CORNER](#)

[TRANSMITTER HUNT](#)

[USE OF CLUB STATION](#)

[MEETING TIME VOTE](#)

[TECH CLASS](#)

[UNCLASSIFIED](#)

[INFO REQUEST](#)

[OPINION](#)

[CLUB INFORMATION](#)



The GOTA Station Field Day

The space below is used for acknowledgements and maintaining the site.

Send comments, suggestions, and requests to [Alex. F. Burr](mailto:aburr@qzxservices.com) or send e-mail to [aburr @ qzxservices.com](mailto:aburr@qzxservices.com).

Technical assistance, net access, design, and maintenance provided by qzxservices.com

THE ARTICLES FOR THIS MONTH

PRESIDENT'S CORNER

KD5SSF

School has started. In October MVRC will hold classes for the Technician class license. One of the draws of Amateur Radio is the continuing education that it provides. Anyone who is active in Amateur Radio is learning. One of the differences between the meetings that we have and that of many other groups is that we have a session for learning in nearly every meeting. Even our periodicals are full of articles that teach. This is good on many levels. Not only does learning make us more informed it helps us stay healthy and keeps our mind working better. Learning people contribute more to society. Let's keep learning and continue to improve our lives and the lives of those around us.

[Return to Table of Contents](#)

TRANSMITTER HUNT

KD5SSF

Following the meeting on October 2 we will be having a transmitter hunt. You will need a radio (or scanner) that receives in the 2-meter band (144-148 MHz). A directional antenna for will also be useful. Maps of the area of the hunt will be provided. You may want to bring a compass for orienting the map. If you have questions, contact Tim Linn (KD5SSF) at 521-0486.

[Return to Table of Contents](#)

USE OF CLUB STATION

KD5SSF

After the general membership meeting on Saturday, October 2 members will be available for anyone who wants to practice on or learn to use the radios at the club house. The club has two HF rigs and several VHF and UHF rigs will be available for use by those who are interested.

[Return to Table of Contents](#)

MEETING TIME VOTE

KD5SSF

At the general membership meeting at 9:15 AM on Saturday, October 2 the board of directors will be presenting a proposal to change the membership meeting to the evening of first Tuesday of the month. If you have preferences either way on this issue, make sure you attend so that your vote can be counted.

[Return to Table of Contents](#)

TECH CLASS WZ5R

We will be hosting a class leading to the Technician license. The class starts at 6 PM on Friday, October 15 at the club house. It runs through the day on Saturday and Sunday morning. The test will take place on Sunday afternoon about 12:30 PM. If you have any questions contact Joe San Filippo, WZ5R, 521-8215

[Return to Table of Contents](#)

UNCLASSIFIED

FOR SALE: Butternut 6 band vertical with the 17 and 24 meter kits. Everything is there along with the instruction books. The antenna is up now and is working well on all but 20 meters. The asking price is \$100.00. Call Fritz N5IAC.

[Return to Table of Contents](#)

INFO REQUEST K5XY

I would like two pieces of information.

If you cannot be at the club meeting on Oct 2 to vote on the meeting time, please send your preference to K5XY (k5xy@arrl.net) at once.

Does anyone in the club own a MFJ-259B or similar antenna analyzer? If so, please email me.

[\(k5xy@arrl.net\)](mailto:k5xy@arrl.net).

[Return to Table of Contents](#)

OPINION: ARRL Nomination Process KC5NZR

Many of us were surprised to hear that our Rocky Mountain Division Director, Walt Stinson W0CP was stepping down from his post. It was also announced Division Vice-director Rev Morton WS7W had filed a petition for nomination to fill the vacant director's post. Also, Brian Milesosky N5ZGT filed a petition to replace Morton as

Vice-director.

Both of these petitions were filed as per ARRL rules and procedures; the deadline for filing was the first week of August. Both individuals filing petitions are unopposed; they will be our next division leaders by default with no possible opposition.

No one was able to challenge those petitioning for office because director Stinson's intention not to seek another term remained unannounced until after the date for filing a nominating petition had passed. No announcement was made of any petitions filed before the cut off date for nominations. Milesosky filed a petition for a post in a division in which he will not reside for at least the current academic year.

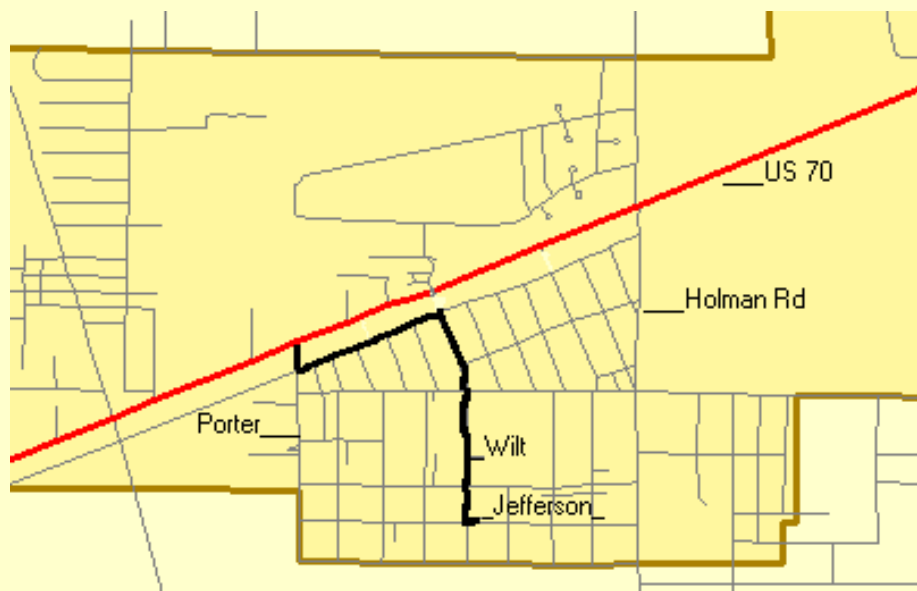
Was there collusion among the division leadership to push through this slate of nominations by default? Who knew of the director's intention to step down and when did they know it?

It is time for a more open process in choosing our division level leadership. Incumbent office holders should be required to make public their intentions to step down well in advance of nominating petition deadlines. Those intending to file petitions should make their intentions known publicly well in advance of nominating deadlines. Let your section and division leadership know your position on this issue.

[Return to Table of Contents](#)

CLUB INFORMATION

The MVRC Clubhouse is located at the intersection of Wilt and Jefferson in Hacienda Heights. To find the clubhouse, set your destination on your GPS receiver as 32 degrees 22.961 minutes and -106 degrees 41.44 minutes. If you don't own a gps, take the Porter exit on US 70. It is about 5 miles from the I 25 interchange, near the firehouse. Almost immediately south of the south frontage road on the south side of US 70, turn left toward the mountains until you come to Wilt. Turn right. There is a jog in the road, but at 0.35 miles you should come to Jefferson. If you can't see the tower and beam, you shouldn't be driving. The treasurer would be delighted to receive your contribution for landscaping and furnishing.



Officers

Office	Name	Call	Phone	e-mail
President	Tim Linn	KD5SSF	521-0486	kd5ssf@arrl.net
Vice-President	Bob Deal	KD5PPP		bob-verna@zianet.com
Secretary	Carleton Talbot	KC5MRM	(915)877-3538	kc5mrm@zianet.com
Treasurer	Charlie Welch	W5TLU	524-3412	cwwelch@usa.net
Board Members	Alex. Burr	K5XY	522-2528	k5xy@arrl.net
	Bob Bennett	AD5LJ	382-0148	rbennett@zianet.com
	Karl Larsen	K5DI	524-3303	k5di@zianet.com
	Cash Olsen	KD5SSJ	382-1917	casholsen@zianet.com
	Joe San Filippo	WZ5R	521-7574	sanfilippo@zianet.com
	Brad Sacca	KC5SKE	382-4380	sheikyerbouty@uswest.net

The newsletter is always looking for articles and notes of interest to the members of the Mesilla Valley Radio Club. Please send them to Alex. F. Burr, K5XY, Editor, MVRC Local Oscillator, 695 Stone Canyon Drive, Las Cruces, NM 88011. Small personal ads from members will also be published. It would be helpful if submissions would be made in a machine readable form. Windows readable disks are welcome. Files can also be sent to the Internet address aburr@aol.com. The club maintains a web site at <http://www.zianet.com/mvrc>.

JOIN THE CLUB

To join the Mesilla Valley Radio Club, renew your membership, or to support the repeaters, please print, cut out, and complete the form below. Send it with dues (\$25 single, \$35 family per year) to: Treasurer, MVRC, Box 1443, Las Cruces, NM 88004.

Name	
Box or street address	
City	
State	
Zip	
Call	
Class of license	
Phone	
e-mail	
ARRL Member?	

[Return to home page](#)