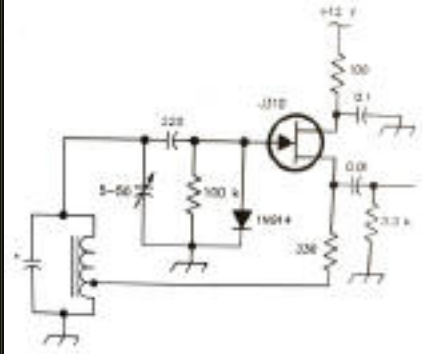
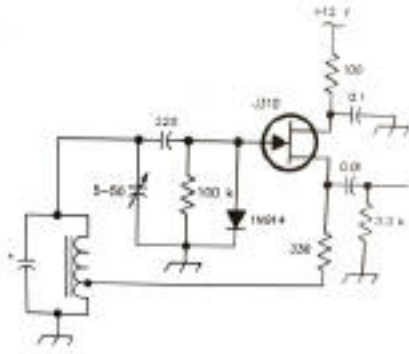


Local Oscillator



2004

Mesilla Valley Radio Club

September

A [pdf file](#) of this issue is available. It should print fairly easily. If you do not have the free pdf file reader, go to <http://www.adobe.com>

Events

Table of Contents

Date	Event	Time
M - F	6 m FM net 52.540	6:00AM
M - F	round-table 52.525	8:00PM
T, T	Breakfast Wal-Mart (E)	10:00AM
M, W, F	Informal - Munson Center	10:00AM
Mon	WTRA Swap net 146.88	8 PM
Wed	Net 146.64	6:45PM
Sept 4	Breakfast Club House	8:00AM
Sept 4	Business Meet Club House	9:15AM
Sept 4	Alamogordo, NM Hamfest	
Sept 11	West Texas ARC Hamfest, Odessa, TX	
Sept 13	Social Meeting Golden Corral	6:00PM
Sept 15	1st Wed after 2nd Mon Directors at clubhouse	7:00PM
Sept 18	Kingman, AZ Hamfest	
Sept 25	Tailgate Only in Deming, NM.	
Oct 31	Marathon	
Nov 11	Baylor Pass Run	

EVENTS

[FREE STUFF](#)

[ITEMS FOR SALE](#)

[USE OF CLUB STATION](#)

[ALAMOGORDO HAMFEST](#)

[CLUB INFORMATION](#)



A Ham Enjoying Field Day

The space below is used for acknowledgements and maintaining the site.

Send comments, suggestions, and requests to [Alex. F. Burr](#) or send e-mail to [aburr @ qzxservices.com](mailto:aburr@qzxservices.com).

Technical assistance, net access, design, and maintenance provided by qzxservices.com

THE ARTICLES FOR THIS MONTH

FREE STUFF

AD5LJ

The club has a few items that did not sell at the last three bean feeds. The following are available to club members for free on a first come basis.

1. Aluminum tubing, assorted lengths and diameters.
2. Assorted lengths of 1/2 and 7/8 Inch Heliax cable.

Most of the cables have connectors on each end.

The tubing and cables are located at the clubhouse near the storage shed. Please help yourself to whatever you want.

[Return to Table of Contents](#)

ITEMS FOR SALE

AD5LJ

The club has several excess antennas that are for sale. These items are at the clubhouse and can be examined at the next business meeting.

1. Satellite antenna consisting of 2-meter cross polarized beam, 7-CM cross polarized beam, AZ-EL antenna rotators and one control box. Asking price is \$100 or best offer.
2. 2-Meter beam antenna. Asking price is \$25 or best offer.
3. 70-CM beam antenna. Asking price is \$25 or best offer.

[Return to Table of Contents](#)

USE OF CLUB STATION

AD5LJ

The board of directors would like to remind all members that the club station is available for member use. The club station currently has two HF transceivers, two 2-meter and one 70-CM transceiver plus assorted antennas.

If you don't have an HF station and would like to work HF, please consider using the club station.

Arrangements can be made to make the station available to members (general class and above) at any time. All you have to do is talk to one of the officers or me at a monthly business meeting and arrangements will be made to issue you a key to the clubhouse.

Do you have a technician level license and desire to try HF? No problem, let a club officer or me know and we will arrange a time for a control operator to be present to assist you.

[Return to Table of Contents](#)

ALAMOGORDO HAMFEST

Saturday is the Alamogordo, NM Hamfest at the Fair Grounds north of town. For more info

<http://www.alamohams.org>

Contact: Bill Leehan, N5SUM

3101 Thunder Road

Alamogordo, NM 88310-4024

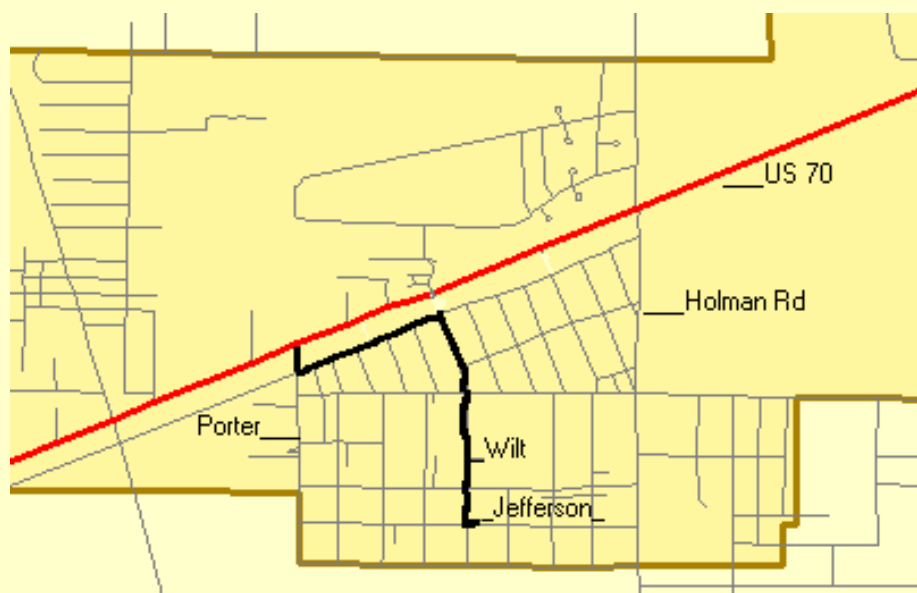
Phone: 505-437-9781

Email: n5sum@totacc.com

[Return to Table of Contents](#)

CLUB INFORMATION

The MVRC Clubhouse is located at the intersection of Wilt and Jefferson in Hacienda Heights. To find the clubhouse, set your destination on your GPS receiver as 32 degrees 22.961 minutes and -106 degrees 41.44 minutes. If you don't own a gps, take the Porter exit on US 70. It is about 5 miles from the I 25 interchange, near the firehouse. Almost immediately south of the south frontage road on the south side of US 70, turn left toward the mountains until you come to Wilt. Turn right. There is a jog in the road, but at 0.35 miles you should come to Jefferson. If you can't see the tower and beam, you shouldn't be driving. The treasurer would be delighted to receive your contribution for landscaping and furnishing.



Officers

Office	Name	Call	Phone	e-mail
President	Tim Linn	KD5SSF	521-0486	kd5ssf@arrl.net
Vice-President	Bob Deal	KD5PPP		bob-verna@zianet.com
Secretary	Carleton Talbot	KC5MRM	(915)877-3538	kc5mrm@zianet.com
Treasurer	Charlie Welch	W5TLU	524-3412	cwwelch@usa.net
Board Members	Alex. Burr	K5XY	522-2528	k5xy@arrl.net
	Bob Bennett	AD5LJ	382-0148	rbennett@zianet.com
	Karl Larsen	K5DI	524-3303	k5di@zianet.com
	Cash Olsen	KD5SSJ	382-1917	casholsen@zianet.com
	Joe San Filippo	WZ5R	521-7574	sanfilippo@zianet.com
	Brad Sacca	KC5SKE	382-4380	sheikyerbouty@uswest.net

The newsletter is always looking for articles and notes of interest to the members of the Mesilla Valley Radio Club. Please send them to Alex. F. Burr, K5XY, Editor, MVRC Local Oscillator, 695 Stone Canyon Drive, Las Cruces, NM 88011. Small personal ads from members will also be published. It would be helpful if submissions would be made in a machine readable form. Windows readable disks are welcome. Files can also be sent to the Internet address aburr@aol.com. The club maintains a web site at <http://www.zianet.com/mvrc>.

JOIN THE CLUB

To join the Mesilla Valley Radio Club, renew your membership, or to support the repeaters, please print, cut out, and complete the form below. Send it with dues (\$25 single, \$35 family per year) to: Treasurer, MVRC, Box 1443, Las Cruces, NM 88004.

Name	
Box or street address	
City	
State	
Zip	
Call	
Class of license	
Phone	
e-mail	
ARRL Member?	

[Return to home page](#)