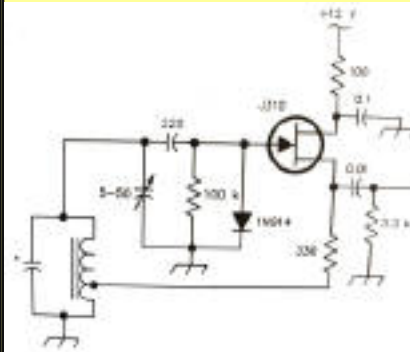


2004

# Local Oscillator



August

Mesilla Valley Radio Club

A [pdf file](#) of this issue is available. It should print fairly easily. If you do not have the free pdf file reader, go to <http://www.adobe.com>

## Events

## Table of Contents

Date	Event	Time
M - F	6 m FM net 52.540	6:00AM
M - F	round-table 52.525	8:00PM
T, T	Breakfast Wal-Mart (E)	10:00AM
M, W, F	Informal - Munson Center	10:00AM
Mon	WTRA Swap net 146.88	8 PM
Wed	Net 146.64	6:45PM
Aug 7	Breakfast Club House	8:00AM
Aug 7	Business Meet Club House	9:15AM
Aug 9	Social Meeting Golden Corral	6:00PM
Aug 11	1st Wed after 2nd Mon Directors at clubhouse	7:00PM
Aug 20,21	DUKE CITY HAMFEST	
Aug 27-29	SOUTHWESTERN DIVISION CONVENTION	
Sept 4	Alamogordo, NM Hamfest	
Sept 18	Kingman, AZ Hamfest	
Oct 31	Marathon	
Nov 11	Baylor Pass Run	

### EVENTS

[PRESIDENT'S CORNER](#)

[DUKE CITY HAMFEST](#)

[SOUTHWESTERN DIVISION](#)

[CONVENTION](#)

[CLUB INFORMATION](#)



## KD5SSJ as NCS at race

The space below is used for acknowledgements and maintaining the site.  
Send comments, suggestions, and requests to [Alex. F. Burr](mailto:aburr@qzxservices.com) or send e-mail to [aburr @ qzxservices.com](mailto:aburr@qzxservices.com).  
Technical assistance, net access, design, and maintenance provided by [qzxservices.com](http://qzxservices.com)

## THE ARTICLES FOR THIS MONTH

### PRESIDENT'S CORNER

KD5SSF

Since most of our radios run on about 12 volts we may not often think about electrical safety. When radios had tubes with the associated high voltages we constantly reminded ourselves of the danger such voltages presented to those of us who tinkered with such radios. I remember getting some real fireworks from an old radio. I was not injured, and amazingly it still worked at the completion of my explorations. Even though we don't come into contact with high voltages in our radios as often as we once did, we need to keep in mind basic electrical safety. It is easy to keep the proper fuses in our rigs. Harder to remember is to keep appropriate fuses in the projects we are building. It is much easier and cheaper to replace a fuse than transistors and ICs that have had the smoke let out of them. Outside we have more chances to encounter dangerous current sources. Since we often have metal objects sticking up in the air around our shacks we need to remember electric line safety as we construct and adjust our antennas. Our next club meeting on August 7 will feature a representative from El Paso Electric giving a demonstration and talk about electric safety. Whether you make it to the meeting or not, please remember to protect not just your equipment, but yourself from dangerous current.

[Return to Table of Contents](#)

### DUKE CITY HAMFEST

Upcoming events include the Duke City Hamfest, August 20th and 21st, which will be held at the University of New Mexico Continuing Education Building, University and Indian School. Check the web site, <[www.qsl.net/dchf](http://www.qsl.net/dchf)>, for the latest information, registration, prize and banquet tickets. There will be forums, VE exams, vendors, and free tailgating. The banquet speaker will be Dennis Motschenbacher, K7BV, talking about his trip to East Timor (4W). Dennis will also host a VHF forum, with a presentation entitled "The Most Fun You Can Have With A Rock"; which deals with meteor scatter communications.

[Return to Table of Contents](#)

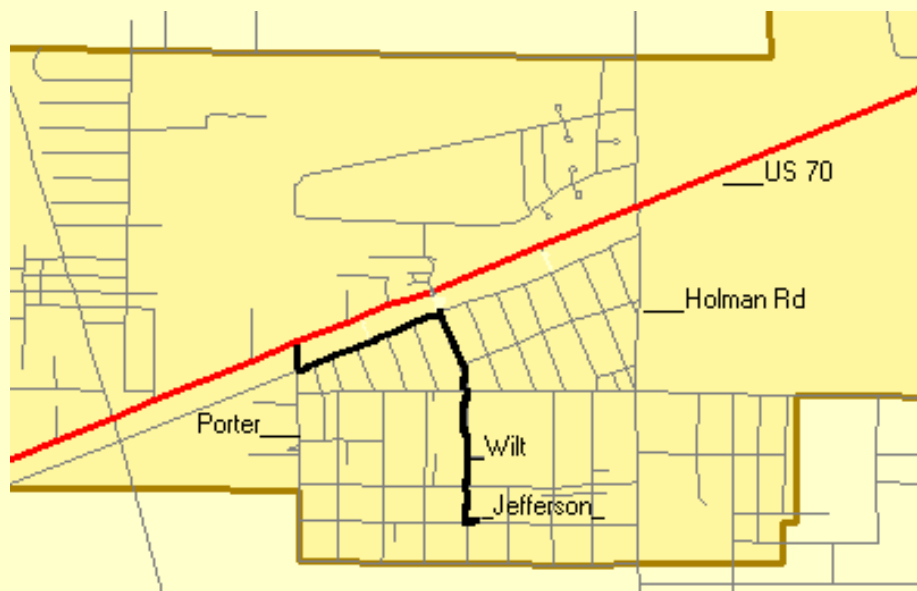
## SOUTHWESTERN DIVISION CONVENTION

The 2004 Southwestern Division Convention (ARRL) will take place at the Sheraton Wild Horse Pass Resort, near Chandler, August 27-29. Check <[www.hamradio2004.com/swdc2004](http://www.hamradio2004.com/swdc2004)> for talk-in frequencies and the convention web site <[www.hamradio2004.com](http://www.hamradio2004.com)> for information or help in signing up for the event.

[Return to Table of Contents](#)

## CLUB INFORMATION

The MVRC Clubhouse is located at the intersection of Wilt and Jefferson in Hacienda Heights. To find the clubhouse, set your destination on your GPS receiver as 32 degrees 22.961 minutes and -106 degrees 41.44 minutes. If you don't own a gps, take the Porter exit on US 70. It is about 5 miles from the I 25 interchange, near the firehouse. Almost immediately south of the south frontage road on the south side of US 70, turn left toward the mountains until you come to Wilt. Turn right. There is a jog in the road, but at 0.35 miles you should come to Jefferson. If you can't see the tower and beam, you shouldn't be driving. The treasurer would be delighted to receive your contribution for landscaping and furnishing.



## Officers

Office	Name	Call	Phone	e-mail
President	Tim Linn	KD5SSF	521-0486	<a href="mailto:kd5ssf@arrl.net">kd5ssf@arrl.net</a>
Vice-President	Bob Deal	KD5PPP		<a href="mailto:bob-verna@zianet.com">bob-verna@zianet.com</a>
Secretary	Carleton Talbot	KC5MRM	(915)877-3538	<a href="mailto:kc5mrm@zianet.com">kc5mrm@zianet.com</a>
Treasurer	Charlie Welch	W5TLU	524-3412	<a href="mailto:cwwelch@usa.net">cwwelch@usa.net</a>
Board Members	Alex. Burr	K5XY	522-2528	<a href="mailto:k5xy@arrl.net">k5xy@arrl.net</a>
	Bob Bennett	AD5LJ	382-0148	<a href="mailto:rbennett@zianet.com">rbennett@zianet.com</a>
	Karl Larsen	K5DI	524-3303	<a href="mailto:k5di@zianet.com">k5di@zianet.com</a>
	Cash Olsen	KD5SSJ	382-1917	<a href="mailto:casholsen@zianet.com">casholsen@zianet.com</a>
	Joe San Filippo	WZ5R	521-7574	<a href="mailto:sanfilippo@zianet.com">sanfilippo@zianet.com</a>
	Brad Sacca	KC5SKE	382-4380	<a href="mailto:sheikyerbouty@uswest.net">sheikyerbouty@uswest.net</a>

The newsletter is always looking for articles and notes of interest to the members of the Mesilla Valley Radio Club. Please send them to Alex. F. Burr, K5XY, Editor, MVRC Local Oscillator, 695 Stone Canyon Drive, Las Cruces, NM 88011. Small personal ads from members will also be published. It would be helpful if submissions would be made in a machine readable form. Windows readable disks are welcome. Files can also be sent to the Internet address [aburr@aol.com](mailto:aburr@aol.com). The club maintains a web site at <http://www.zianet.com/mvrc>.

**JOIN THE CLUB**

To join the Mesilla Valley Radio Club, renew your membership, or to support the repeaters, please print, cut out, and complete the form below. Send it with dues (\$25 single, \$35 family per year) to: Treasurer, MVRC, Box 1443, Las Cruces, NM 88004.

Name	
Box or street address	
City	
State	
Zip	
Call	
Class of license	
Phone	
e-mail	
ARRL Member?	

[Return to home page](#)