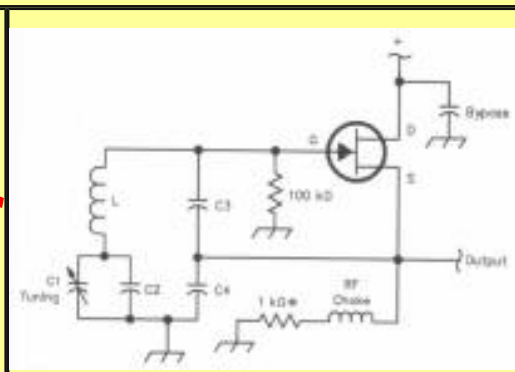


2004

Local Oscillator



February

Mesilla Valley Radio Club

A [pdf file](#) of this issue is available. It should print fairly easily. If you do not have the free pdf file reader, go to <http://www.adobe.com>

Events

Table of Contents

Date	Event	Time
M - F	6 m FM net 52.540	6:00AM
M - F	round-table 52.525	8:00PM
T, T	Breakfast Wal-Mart (E)	10:00AM
M, W, F	Informal - Munson Center	10:00AM
Mon	WTRA Swap net 146.88	8 PM
Wed	Net 146.64	6:45PM
Feb 01	Super Sunday race	AM
Feb 7	Breakfast Club House	8:00AM
Feb 7	Business Meet Club House	9:30AM
Feb 09	Social Meeting New China Buffet	6:00PM
Feb 11	1st Wed after 2nd Mon Directors at clubhouse	7:00PM
Feb 20-22	Tech Class Club House	6:00 PM
Feb 27	Code Class starts	PM
Mar 14	Code test	PM
Mar 20	Elmer demonstrations Club House	PM
Mar 25	Bataan Death March	AM
Apr 03	Run Old Mesilla	AM

EVENTS

[PRESIDENT'S CORNER](#)

[BUSINESS MEETING](#)

[PROPOSED LICENSING CHANGES](#)

[UNCLASSIFIED ADS](#)

[CLUB INFORMATION](#)

Apr 16-18	General Class Club House	PM
Apr 18	Triathlon	AM
Apr 25	Bean Feed Club House	AM
May 7-9	Extra Class Club House	PM



WK3C talks on tower climbing

The space below this line is used for acknowledgements and maintaining the site.

Send comments, suggestions, and requests to [Alex. F. Burr](#) or send e-mail to [aburr @ zianet.com](mailto:aburr@zianet.com).

Technical assistance and net access provided by [zianet.com](#).

Design and maintenance by [QZX Services](#).

2004-01-22



THE ARTICLES FOR THIS MONTH

PRESIDENT'S CORNER

KD4SSJ

It's a New Year and I'm optimistic. I'm optimistic because of the club we have. We have young, new Hams who are enthusiastic and anxious to learn. We have Hams who have had their ticket for nearly fifty years who are just as enthusiastic and anxious to learn. We have Elmers of all ages who are eager to share their knowledge and experiences with others. You can get an education in radio and electronics by just hanging around some of these people that would be the envy of any community college. I plan to try out several aspects of Amateur Radio that I have not been involved in before. Join me at our monthly meetings, special events, and Elmering sessions for a lot of fun this year.

[Return to Table of Contents](#)

BUSINESS MEETING

The meeting after the breakfast February 7 will include a video from the ARRL and a presentation by K5DI. Budget details will also be available. The proposed budget is approximately balanced at a little over \$5000.

[Return to Table of Contents](#)

PROPOSED LICENSING CHANGES

The ARRL will ask the FCC to create a new entry-level Amateur Radio license that would include HF phone privileges without requiring a Morse code test. The League also will propose consolidating all current licensees into three classes, retaining the Element 1 Morse requirement--now 5 WPM--only for the highest class. The ARRL Board of Directors overwhelmingly approved the plan January 16 during its Annual Meeting in Windsor, Connecticut. The proposals, developed by the ARRL Executive Committee following a Board instruction last July, are in response to changes made in Article 25 of the international Radio Regulations at World Radiocommunication Conference 2003 (WRC-03) and continue a process of streamlining the amateur licensing structure that the FCC began more than five years ago, but left unfinished, in Docket 98-143.

"Change in the Amateur Radio Service in the US, especially license requirements and even more so when Morse is involved, has always been emotional," said ARRL First Vice President Joel Harrison, W5ZN, in

presenting the Executive Committee's recommendations. "In fact, without a doubt, Morse is Amateur Radio's 'religious debate.'" The plan adopted by the Board departs only slightly from the Executive Committee's recommendations.

The "New" Novice

The entry-level license class--being called "Novice" for now--would require a 25 question written exam. It would offer limited HF CW/data and phone/image privileges on 80, 40, 15 and 10 meters as well as VHF and UHF privileges on 6 and 2 meters, and 222-225 and 430-450 MHz. Power output would be restricted to 100 W on 80, 40, and 15 meters and to 50 W on 10 meters and up, thus avoiding the need for the more complex RF safety questions in the Novice question pool.

The Board sought to achieve balance in giving new Novice licensees the opportunity to sample a wider range of Amateur Radio activity than is available to current Technicians while retaining motivation to move up to the other two license classes. It was also seen as important to limit the scope of privileges so the exam would not have to include material that is inappropriate at the entry level.

While the Novice license was a successful introduction to Amateur Radio for most of its 50-year history, the FCC has not issued new Novice licenses since April 2000, when the FCC's most recent Amateur Service license restructuring took effect. Current Novice licensees, the smallest and least active group of radio amateurs, would be grandfathered to the new entry-level class without further testing.

Anticipating assertions that the new plan would "dumb down" Amateur Radio licensing, Harrison said those currently holding a ticket often perceive the level of complexity to have been greater when they were first licensed than it actually was. "Quite frankly," he said, "if you review the questions presented in our license manuals throughout the years, you will be surprised how they compare to those of today."

Technicians and Generals

The middle group of licensees--Technician, Tech Plus (Technician with Element 1 credit) and General--would be consolidated into a new General license that no longer would require a Morse examination. Current Technician and Tech Plus license holders automatically would gain current General class privileges without additional testing. The current Element 3 General examination would remain in place for new applicants.

Generals would gain additional phone privileges as proposed the ARRL in 2002 in its RM-10413 petition, which has not yet been acted on by the FCC.

Morse Code Testing Retained for Extra

At the top rung, the Board saw no need to change the requirements for an Extra class license. The ARRL plan calls on the FCC to combine the current Advanced and Amateur Extra class licensees into Amateur Extra, because the technical level of the exams passed by these licensees is very similar. New applicants for Extra would have to pass a 5 WPM Morse code examination, but the written exam would stay the same. Current Novice, Tech Plus and General class licensees would receive lifetime Element 1 (5 WPM Morse) credit.

"This structure provides a true entry-level license with HF privileges to promote growth in the Amateur Service," Harrison said. "It also simplifies the FCC database by conforming to the current Universal Licensing System (ULS) structure and does not mandate any modifications to it."

ARRL CEO David Sumner, K1ZZ, concurred. "The Board started out by recognizing that three license classes was the right number when looking down the road 10 or 15 years," he said. "We need a new entry-level license. On the other hand, there's nothing particularly wrong with the existing Extra class license; the change in the international regulations notwithstanding, the Board felt that the highest level of accomplishment in the FCC's amateur licensing structure should include basic Morse capability." Sumner and Harrison say the current Technician entry-level ticket provides little opportunity to experience facets of ham radio beyond repeater operation. "The quality of that experience," Sumner said, "often depends on the operator's location."

Among other advantages, Sumner said the plan would allow new Novices to participate in HF SSB emergency nets on 75 and 40 meters as well as on the top 100 kHz of 15 meters. The new license could get another name, Sumner said. "We're trying to recapture the magic of the old Novice license, but in a way that's appropriate for the 21st Century."

Proposal Includes "Novice Refarming" Band Plan

The overall proposed ARRL license restructuring plan would more smoothly integrate HF spectrum privileges across the three license classes and would incorporate the League's "Novice refarming" plan <<http://www.arrl.org/news/stories/2002/03/22/4/>>, which would alter the

current HF subbands. Proposed to the FCC nearly two years ago but not yet acted upon, Novice refarming would eliminate the 80, 40 and 15-meter Novice/Technician Plus CW subbands as such and reuse that spectrum in part to expand phone/image subbands on 80 and 40 meters.

Proposed Phone/Image HF Subbands (Includes Novice Refarming Proposal)

80 Meters

Extra: 3.725-4.000 MHz (gain of 25 kHz)
General: 3.800-4.000 MHz (gain of 50 kHz)
Novice: 3.900-4.000 MHz (new)

40 meters

Extra: 7.125-7.300 MHz (gain of 25 kHz)
General: 7.175-7.300 MHz (gain of 50 kHz)
Novice: 7.200-7.300 MHz (new)

15 meters

Extra: 21.200-21.450 MHz (no change)
General: 21.275-21.450 MHz (gain of 25 kHz)
Novice: 21.350-21.450 MHz (new)

10 meters

Extra and General: 28.300-29.700 MHz (no change)
Novice: 28.300-28.500 MHz (no change)

Proposed CW/Data-Exclusive HF Subbands (Includes Novice Refarming Proposal)

80 meters

Extra: 3.500-3.725 MHz
General: 3.525-3.725 MHz
Novice: 3.550-3.700 MHz

40 meters

Extra: 7.000-7.125 MHz
General: 7.025-7.125 MHz
Novice: 7.050-7.125 MHz

15 meters

Extra: 21.000-21.200 MHz
General: 21.025-21.200 MHz
Novice: 21.050-21.200 MHz

10 meters

Extra/General: 28.000-28.300 MHz

Novice: 28.050-28.300 MHz

The ARRL license restructuring design calls for no changes in privileges for Extra and General class licensees on 160, 60, 30, 20, 17 or 12 meters. Novice licensees would have no access to those bands.

[Return to Table of Contents](#)

UNCLASSIFIED ADS

FOR SALE: Hy-Gain HDR-300 Rotator with digital display control box. Handles 25 sq. ft. antenna wind load. 5,000 in.-lbs. turning power. 7,500 in.-lbs. brake power. 5,000 ft.-lbs. effective moment in tower. The HDR-300 is one of the most powerful rotators on the market. Costs \$1,400 new. Excellent used condition. Sell for \$600 or best offer. Bill Johnston, K5ZI. 505-382-7804.

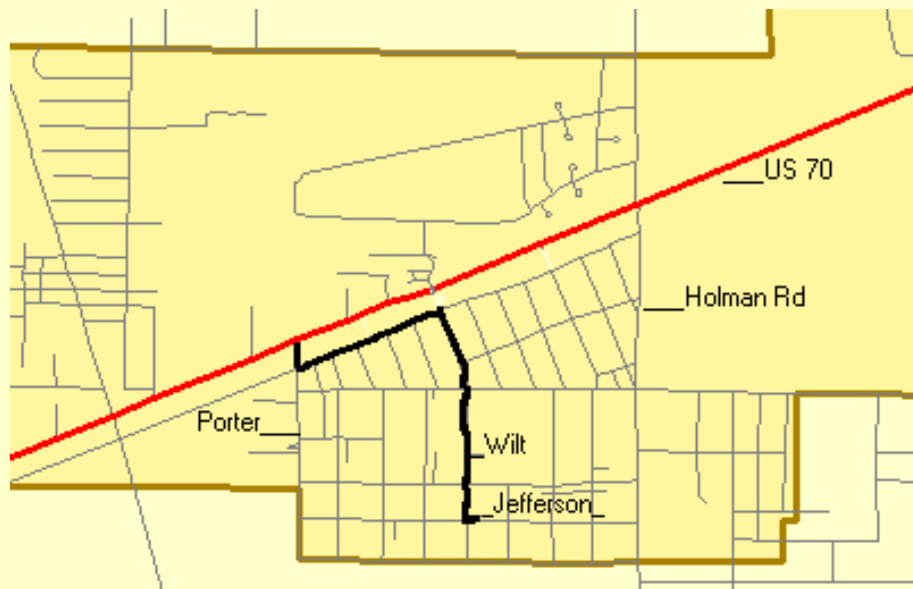
FREE. High Voltage Transformer. UTC Type CG-308. Primary 120/240 volts. Secondary 4800/ 6000/ 7000 volts center-tapped at 1 amp. Weight is about 135 lbs. No shipping. Taker picks up here. Bill Johnston, K5ZI, 505-382-7804, k5zi@arrl.net

FOR SALE: Weather Satellite Picture Receiving Station, complete, as new. Selling at large discount off original price. Receives weather satellite images in real time from both geostationary and polar orbiting weather satellites. Visible, IR, and color. Call or e-mail for details and equipment list. Bill Johnston, K5ZI, 505-382-7804. k5zi@arrl.net

[Return to Table of Contents](#)

CLUB INFORMATION

The MVRC Clubhouse is located at the intersection of Wilt and Jefferson in Hacienda Heights. The treasurer would be delighted to receive your contribution for landscaping and furnishing. To find the clubhouse, set your destination on your GPS receiver as 32 degrees 22.961 minutes and -106 degrees 41.44 minutes. If you don't own a gps, drive out North Main towards Alamogordo. At about 5 miles from the I 25 interchange, near the firehouse, exit at Porter. Almost immediately turn left and continue toward the mountains until you come to Wilt. Turn right. There is a jog in the road, but at 0.35 miles you should come to Jefferson. If you can't see the tower and beam, you shouldn't be driving.



Officers

Office	Name	Call	Phone	e-mail
President	Tim Linn	KD5SSF		
Vice-President	Bob Deal	KD5PPP		
Secretary	Carleton Talbot	KC5MRM		
Treasurer	Charlie Welch	W5TLU		
Board Members	Alex. Burr	K5XY	522-2528	k5xy@arrl.net
	Bob Bennett	AD5LJ		
	Karl Larsen	K5DI	524-3303	k5di@zianet.com
	Cash Olsen	KD5SSJ	382-1917	casholsen@zianet.com
	Joe San Filippo	WZ5R		
	Brad Sacca	KC5SKE	382-4380	sheikyerbouty@uswest.net

The newsletter is always looking for articles and notes of interest to the members of the Mesilla Valley Radio Club. Please send them to Alex. F. Burr, K5XY, Editor, MVRC Local Oscillator, 695 Stone Canyon Drive, Las Cruces, NM 88011. Small personal ads from members will also be published. It would be helpful if submissions would be made in a machine readable form. Windows readable disks are welcome. Files can also be sent to the Internet address aburr@aol.com. The club maintains a web site at <http://www.zianet.com/mvrc>.

JOIN THE CLUB

To join the Mesilla Valley Radio Club, renew your membership, or to support the repeaters, please print, cut out, and complete the form below. Send it with dues (\$25 single, \$35 family per year) to: Treasurer, MVRC, Box 1443, Las Cruces, NM 88004.

Name	
Box or street address	
City	
State	
Zip	
Call	
Class of license	
Phone	
e-mail	
ARRL Member?	

[Return to home page](#)