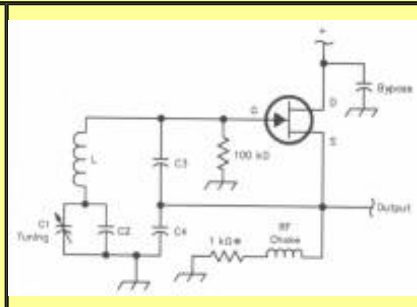
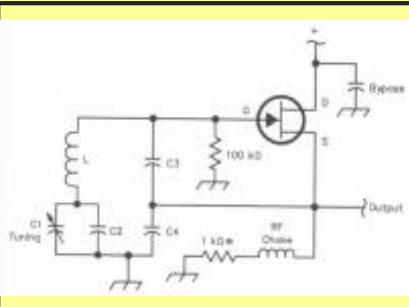


Local Oscillator



2003

Mesilla Valley Radio Club

October

Events

Table of Contents

Date	Event	Time
M - F	6 m FM net 52.540	6:00AM
Mon	R&S Net 449.90	8:30AM
M - F	Breakfast Wal-Mart (E)	10:00AM
M,W, F	Informal - Munson Center	10:00AM
Mon	WTRA Swap net 146.88	8 PM
Wed	Net 146.64	6:45PM
Sept 27	Race	7:00AM
Oct 4	Short business meet	8:00AM
Oct 4-6	Tech Class Club House	9:30AM
Oct 15	1st Wed after 2nd Mon Directors at clubhouse	7:00PM

- EVENTS
- [PRESIDENT'S CORNER](#)
- [OCTOBER BUSINESS MEETING](#)
- [CLUB SOCIAL](#)
- [BUSINESS METING FORMAT](#)
- [CLUB WORK DAY](#)
- [ARC-5 PARTS WANTED](#)
- [RACES](#)
- [GENERAL BUSINESS MEETING \(Minutes\)](#)
- [CLUB REORGANIZATION REQUIRED](#)
- [CLUB INFORMATION](#)



The Secretary, KA2FVO, at Work

The space below this line is used for acknowledgements and maintaining the site.
Send comments, suggestions, and requests to [Alex. F. Burr](mailto:Alex.F.Burr) or send e-mail to [aburr @ zianet.com](mailto:aburr@zianet.com).
Technical assistance and net access provided by zianet.com .
Design and maintenance by QZX Services.
2003-09-25



THE ARTICLES FOR THIS MONTH

PRESIDENT'S CORNER

AD5LJ

As all of you know, the club elects officers in November of each year. The election of officers for 2004 is only a month away. Carleton, KC5MRM, is leading the nominating committee's efforts to find candidates for next year. To date, only one person has agreed to be a club officer. We need a minimum of three more candidates. Please people, support the club and volunteer to be an officer. The club must have people willing to volunteer their time or it simply cannot continue to function.

[Return to Table of Contents](#)

OCTOBER BUSINESS MEETING

AD5LJ

A Technician class will be held 3-5 Oct 2003. Normally we would have our regular monthly breakfast and business meeting on Saturday 4 Oct. However, due to the Tech class, we are modifying the schedule for Saturday. First, there will be no breakfast and no program. There will be a short business meeting starting at 8AM and as soon as the business meeting ends, the tech class will continue.

[Return to Table of Contents](#)

CLUB SOCIAL

AD5LJ

The Social on 8 Sept at the New China Buffet was a success. We had 12 club members attend and all had a good time. Hope to see more of you at the next social on 13 Oct.

[Return to Table of Contents](#)

BUSINESS MEETING FORMAT

AD5LJ

The board of directors is considering ways to make the business meetings more interesting. One idea will be tried at the Nov meeting. Basically, before club business is transacted, I will ask for volunteers to give brief reports on things of interest to amateurs. Some topics include band conditions, interesting happenings on 2-meters, reports on new equipment, antenna projects, interference, and so on. If you have suggestions for additional topics or other changes to the business meeting, please let me know.

[Return to Table of Contents](#)

CLUB WORK DAY

AD5LJ

A clubhouse clean up has been scheduled for the mornings of 11 OCT and if necessary 18 Oct. The clean up will consist of both outside (weed cutting, trash collection and haul off) and inside work (washing and dusting the clubhouse). We have four people signed up to help. We can use additional helpers.

[Return to Table of Contents](#)

ARC-5 PARTS WANTED

K1CQH

I am looking for both parts and complete ARC-5 sets. I am trying to put a World War II vintage ARC-5 station on the air and need dynamotors, connectors, transformers, coils and so on. If you have any ARC-5 components you would consider selling, Please let me know. Mark Maguire, K1CQH, 522-6039.

[Return to Table of Contents](#)

RACES

K5DI

There are 3 races that are put on by the Mesilla Valley Track Club in the next 3 months. The first is the Whole Enchilada event down town and the races are early on Saturday Sept. 27 2003. At the last meeting these members said they can support this event.

Bill - KD5UZJ

Melonie - KD5UZF

Cash - KD5SSJ

Tim - KD5SSF

Henry - AD5FE

Bob - AD5LJ

These are enough for this event so we are in good shape.

On Sunday Oct 26, 2003 there is the second big Rio Grande Marathon and we will need a lot of help for this race which covers 13.5 miles. Last year we had 8 mobiles and it was enough but a couple more would be better. We use the 146.64 MHz repeater so everyone can hear everyone.

Then on Nov. 15, 2003 the Baylor Pass Race which is a favorite race for many Hams and lots of runners happens. We will need all the Hams we can get.

I would like to get members who enjoy the races and have done a few to try being the Net Control operator. It's quite easy but it's a lot more

active than being a mobile at a corner. If no-one comes forward I will do it but hope others will try.

[Return to Table of Contents](#)

GENERAL BUSINESS MEETING

Saturday September 6, 2003

Program by Sid Goddard. "The Heavenly Body ": a tale of the history and accomplishments of the WWII famous B-25 aircraft.

General meeting started at 10:05.

Introductions of all members were made.

The status of the repeaters was covered. Brad stated that all were operating properly at his last check, that he would check out some complaints on the 76 machine this week. Brad also stated that there was a good chance that the club could acquire some surplus radio equipment from a government source. More on this later.

The Wednesday net has run into problems with the 64 repeater, it was necessary to use the NMSU repeater . If you look for the Net check both repeater locations.

Volunteers were solicited for a clean up program for the club property. Cash, Bill and Henry volunteered A firm date has not been set to do clean up. It can proceed when the volunteers have spare time.

The socials at the New China Buffet will resume Monday Sept.8. Please attend and enjoy.

As of this date the Club has 88 paid up members. The roster also shows 4 life time members.

A tech class is scheduled for October 3-4-5. Flyers have been placed at Radio Shack and the Library. After graduation it was proposed to have a general get together to introduce all the graduates and any new members to Club activities.. A Fajita supper for all was proposed. The tentative date is for November 8 at 6 pm at the club house.

The treasurer's report was read and is attached. A balance of \$8,056.00 is shown.

A request for a screen door was received. With the installation the plethora of flies at the breakfast will be reduced. The President will oversee the installation.

Two events are scheduled in the near future, the first will be the Whole Enchilada race on September 27th. Karl requested volunteers. The following signed up, Bill, Melanie, Cash, Tim, Henry, and Bob. A second event, the Rio Grande Marathon, is pending October 26th.

Details for the Clubs Christmas dinner are still pending.

The nomination Committee for 2004 is still hard at work on this project.

On Saturday October 4, 2003 there will be no program or breakfast... BUT there will be a short meeting for the submission of candidates from the nominating committee for 2004.. The meeting will start at 0800.

As there was no other new business the meeting adjourned at 10:40.

Acting Secretary D. Hicks

[Return to Table of Contents](#)

CLUB REORGANIZATION REQUIRED

K5DI

As we have gone along so far this year the Club has lost meeting attendance, fewer people than last year paid dues, and though the President has tried Saturday meetings and Program first, there is an air of a Club about to fail. This year we re-wrote the Club Charter and were careful to be certain everything is covered if the Club fails.

I think the root reason the Club is failing is due to two main factors. The first we MUST put RADIO back into the club by making radio the only topic of discussion at meetings. We need to put Search and Rescue back into the Club with the MVTC races we now cover. We need to identify other functions that are clearly radio oriented like the November 8, 2003 Elmer meeting Cash Olsen is hosting.

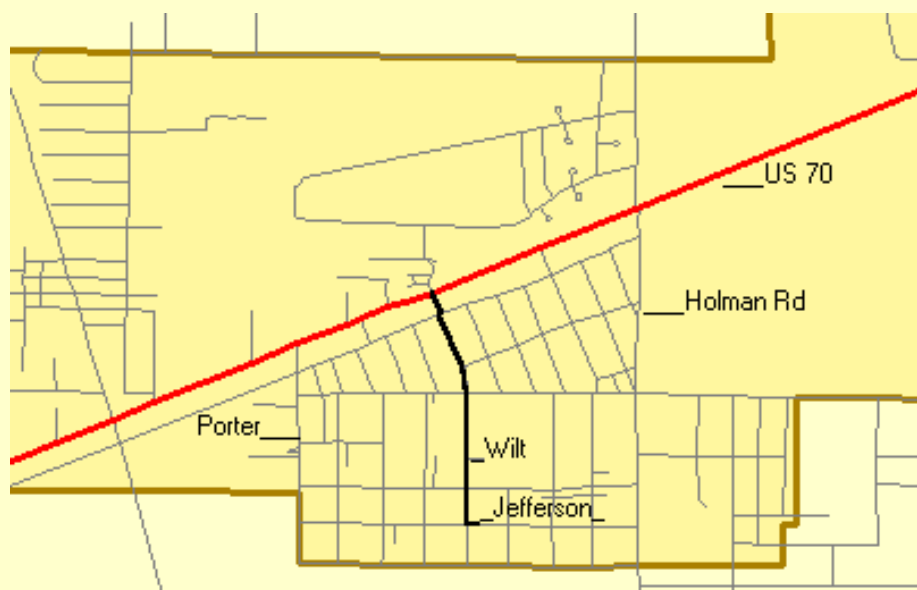
The second reason is our devotion to the Clubhouse. It is a fine structure but it's a bit out of town. Seating has been fine for our meetings now, but it will not be large enough if half the membership comes to a meeting. We need to find a meeting place more in town and able to seat 60-70 people. This will not be easy but it needs to get started if the Club wants to survive.

We need to make MVRC a club we want to be a member of because it's fun and it's about radio.

[Return to Table of Contents](#)

CLUB INFORMATION

The MVRC Clubhouse is located at the intersection of Wilt and Jefferson in Hacienda Heights. The treasurer would be delighted to receive your contribution for landscaping and furnishing. To find the clubhouse, set your destination on your GPS receiver as 32 degrees 22.961 minutes and -106 degrees 41.44 minutes. If you don't own a gps, drive out North Main towards Alamogordo. At about 5 miles from the I 25 interchange, near the firehouse, exit at Porter. Almost immediately turn left and continue toward the mountains until you come to Wilt. Turn right. There is a jog in the road, but at 0.35 miles you should come to Jefferson. If you can't see the tower and beam, you shouldn't be driving.



Officers

Office	Name	Call	Phone	e-mail
President	Bob Bennett	AD5LJ	382-0148	rbennett@zianet.com
Vice-President	Doug Hicks	KE5FF	522-2683	domad1@msn.com
Secretary	Marnie Leverett	KA2FVO	522-0347	
Treasurer	Rod Davis	WK5I	522-6833	rodstree@peoplmepec.co
Board Members	Alex. Burr	K5XY	522-2528	k5xy@arrl.net
	Mike Homer	KC5SKF		kc5skf@zianet.com
	Timothy Linn	KD5SSF	521-0486	timlinn@sprynet.com
	Cash Olsen	KD5SSJ	382-1917	casholsen@zianet.com
	Karl Larsen	K5DI	524-3303	k5di@zianet.com
	Brad Sacca	KC5SKE	382-4380	sheikyerbouty@uswest.net

The newsletter is always looking for articles and notes of interest to the members of the Mesilla Valley Radio Club. Please send them to Alex. F. Burr, K5XY, Editor, MVRC Local Oscillator, 695 Stone Canyon Drive, Las Cruces, NM 88011. Small personal ads from members will also be published. It would be helpful if submissions would be made in a machine readable form. Windows readable disks are welcome. Files can also be sent to the Internet address aburr@aol.com. The club

maintains a web site at <http://www.zianet.com/mvrc>.

JOIN THE CLUB

To join the Mesilla Valley Radio Club, renew your membership, or to support the repeaters, please print, cut out, and complete the form below. Send it with dues (\$25 single, \$35 family per year) to: Treasurer, MVRC, Box 1443, Las Cruces, NM 88004.

Name	
Box or street address	
City	
State	
Zip	
Call	
Class of license	
Phone	
e-mail	
ARRL Member?	

[Return to home page](#)